

DIY MODERN Dog Food Bowl Stand



Items you will need to create a Dog Food Bowl Stand :

DAP RapidFuse Wood Adhesive
DAP Wood filler in Natural (optional)
(2) 1" x 2" x 6' pieces of wood
(1) 1" x 12" deep x 36" wide (depending on size and number of dog bowls) piece of wood
Drill and 3/4" spade bit
(1 pkg) 4 corner braces 1 1/4"
Optional: nail gun and 1 1/4" nails
Sanding block
Miter saw - or any saw to make straight cuts
Jig saw
Safety goggles
clamps

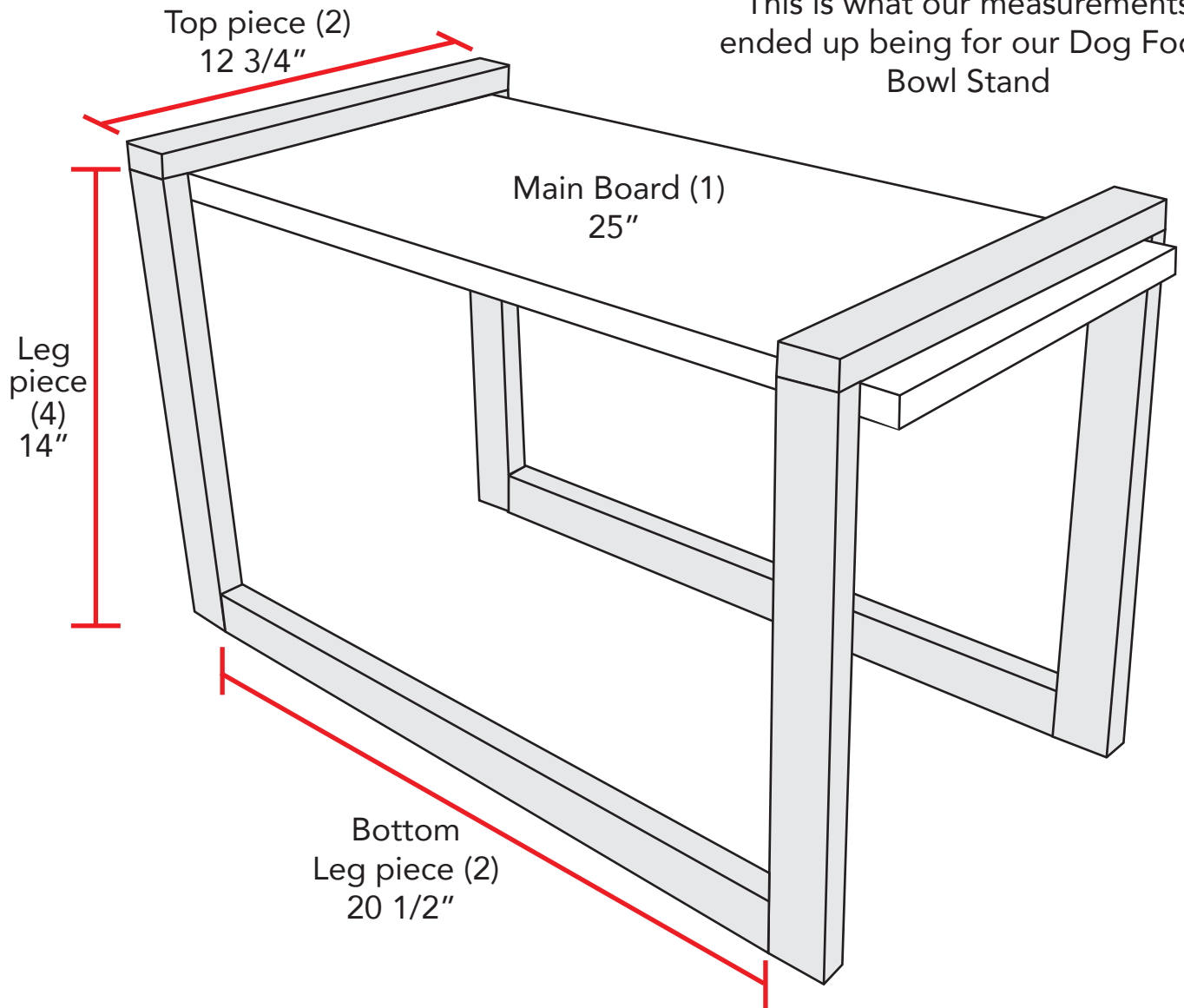
INSTRUCTIONS

1. Your dog food bowl stand should be 6" shorter than your dog's shoulder, so to determine how tall your dog food bowl stand should be, measure from the floor to your dog's shoulders and subtract 6". Our dog's shoulder measured 20", so our stand is 14" tall.

2. In order to determine how wide your main board

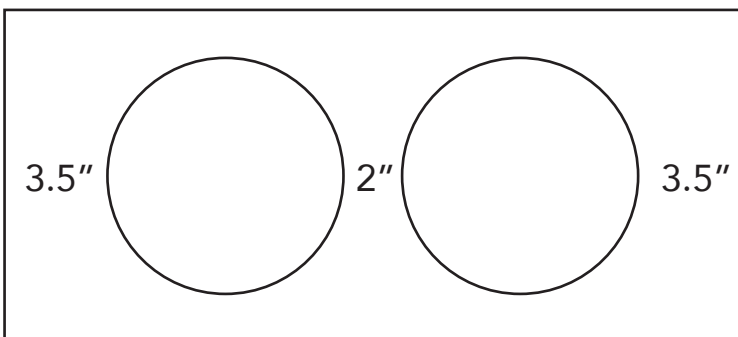


This is what our measurements ended up being for our Dog Food Bowl Stand



should be, decide how many dog bowls you want in your dog bowl stand. Since we have two, we left about 2" of space between the bowls, and about 3.5" to each end of the board. Our main board measured 25" wide.

3. Measure 3.5" from each end of your board and place your dog bowl upside down and trace with a pen.





4. To ensure that your bowl doesn't fall through the hole, measure 1/4" in from the circle, and draw a smaller circle inside. If the lip of your bowl is larger than 1/4", measure the new circle the size of the lip of the bowl.

5. Clamp your main board to your work surface. Use a 3/4" spade bit and drill a hole inside your circle, as near to the inner circle as you can. This is to ensure you can get your jig saw bit inside the circle so you can cut it out. Once your circle is cut out, use the sanding block to smooth out your circle.



6. Next, assemble your legs. Use RapidFuse Wood Adhesive and glue your top piece to your leg pieces. Use a clamp to hold in place until dry. Optional: you can also use a nail gun and 1 1/4" nails to add strength.





7. Apply RapidFuse to the bottom of the Top Piece and adhere your legs to the main board. Use a drill to screw the corner braces to the bottom of the main board to the legs. This will add strength to the bowl stand and ensure the weight of your bowls will not break the stand.



8. Finally, adhere your bottom pieces using RapidFuse and clamping them until dry.



9. If you opted to use a nail gun, use DAP wood filler to fill in the holes. Sand when dry.

10. To finish your dog food bowl stand, tape off the main board and paint the legs the color of your choice.

