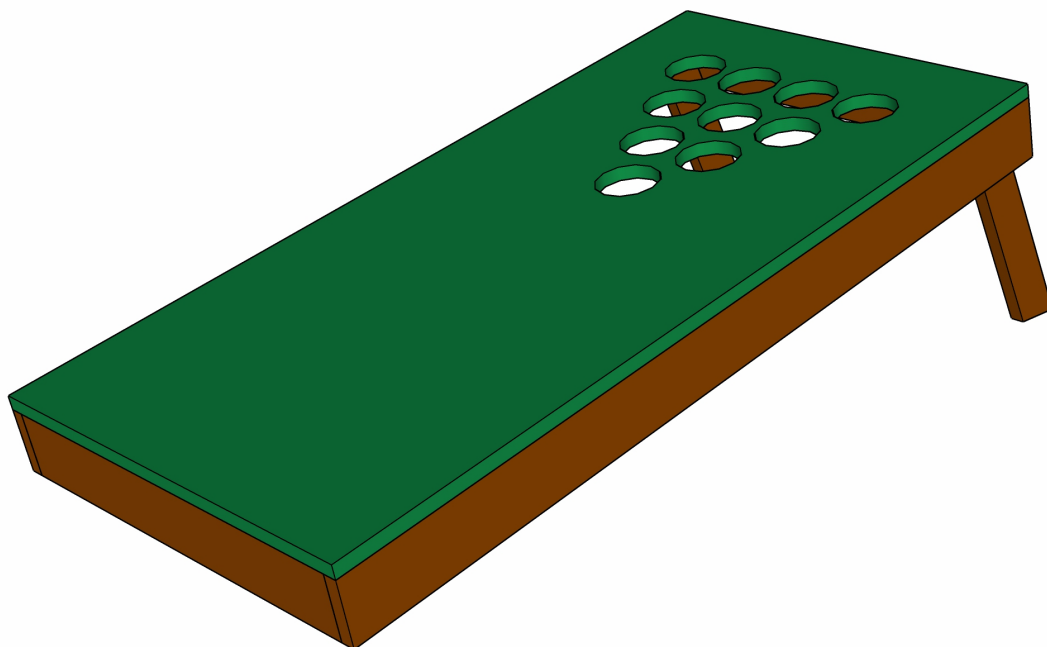

DIY Chip Shot Golf Game

Addicted2DIY.com



Before beginning this project...

Please read through all of the plans as well as the blog post associated with this project. Always use safety precautions whenever using power tools and follow the manufacturer's suggested guidelines. Make sure to wear proper safety protection (eye protection, hearing protection, etc.) before beginning any project. Cut all pieces per the measurements in the plans, unless noted otherwise.

Materials and Cut List:

Materials Needed:

Materials based on making 2 boards

- 2 - 24" x 48" plywood project panels
- 3 - 1x4 @ 8' long
- 1 - 1x3 @ 6' long
- 1 - 3 1/2" hole saw
- 1 - 6' x 8' astro turf mat
- DAP weldwood contact cement
- Wood glue
- 1 1/4" wood screws
- 2 1/2" carriage bolts with locking nuts
- 5/8" narrow crown staples
- 1/16" drill bit
- Drill
- Narrow crown staple gun
- Razor knife
- 16 oz plastic cups
- Plastic golf balls

Cut List:

4 - 1x4 @ 48" long

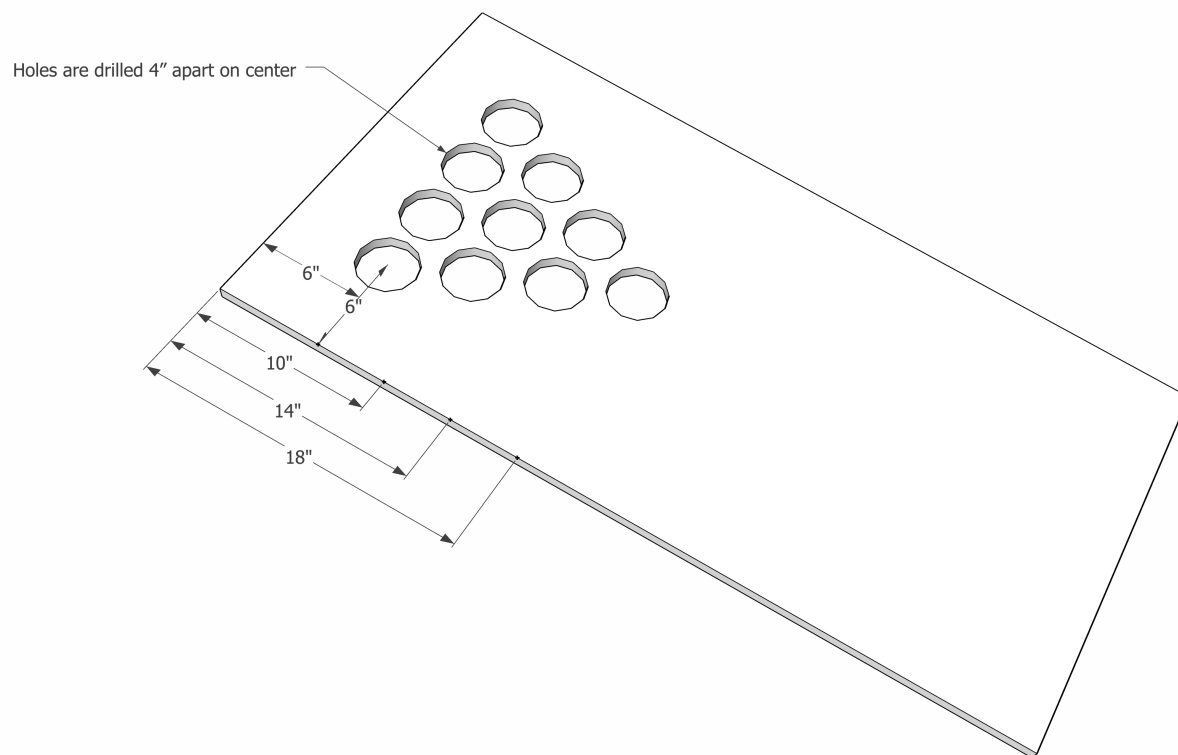
4 - 1x4 @ 22 1/2" long

4 - 1x3 @ 15" long

2 - astro turf mats cut at 24" x 48" (use board tops as guide)

Step One:

Drill Holes



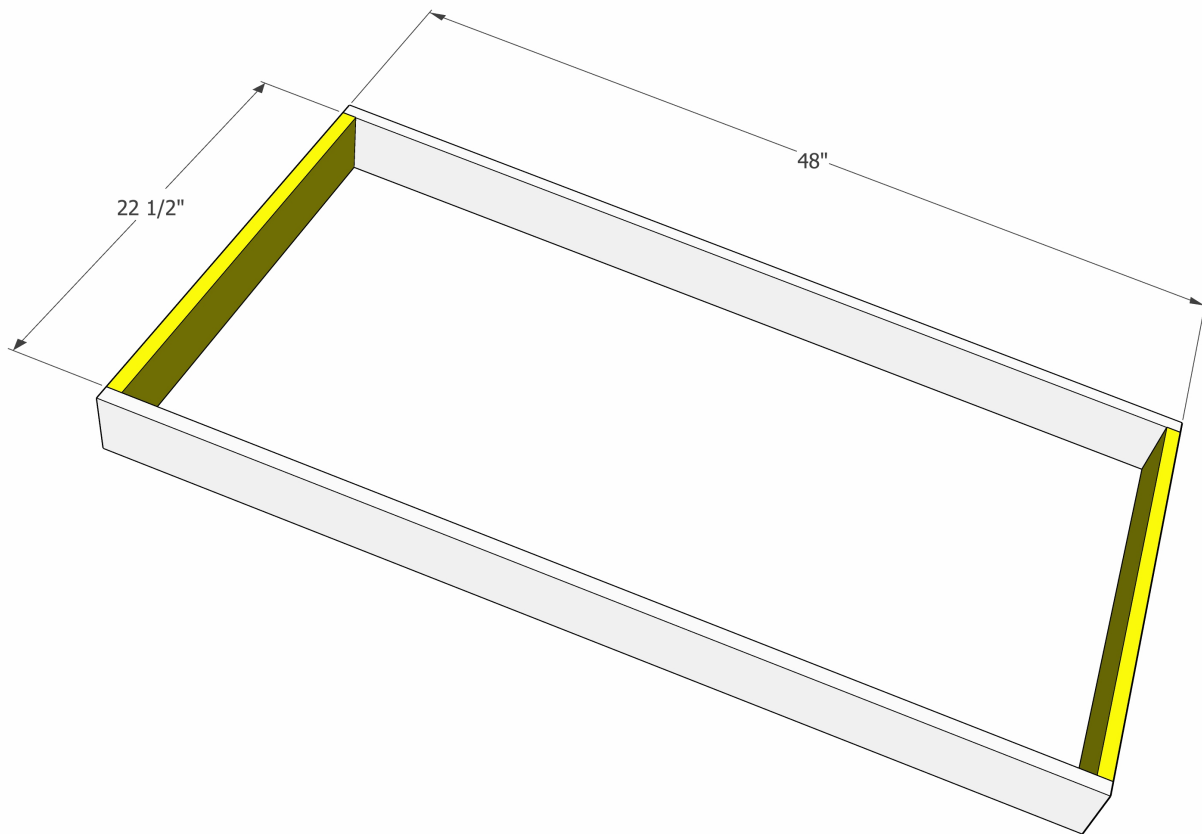
Mark the locations for the holes on each game piece. For the first row, measure down 6". Use a square to mark a line across the board. The first hole is 6" in on center from the side of the board. The remaining holes are 4" apart on center.

Each remaining row is 4" on center down from the top of the board and spaced 4" on center apart. The second row will begin at 8" on center. The third row will begin at 10" on center. The last row will be centered on the board at 12"

Using a drill and a 3 1/2" hole saw, drill all of the holes into the plywood top.

Step Two:

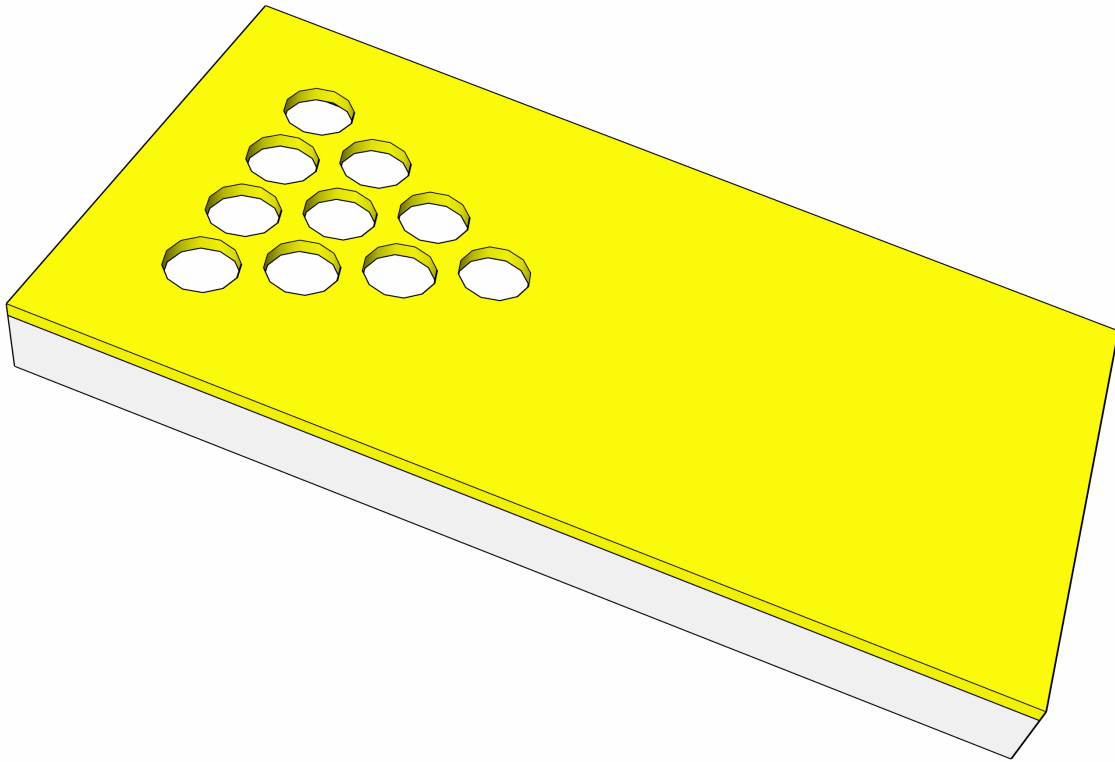
Build the Frame



To build the frame, drill two 1/16" pilot holes into each end of the 48" boards. Glue and clamp the frame together, then attach the pieces with 1 1/4" wood screws.

Step Three:

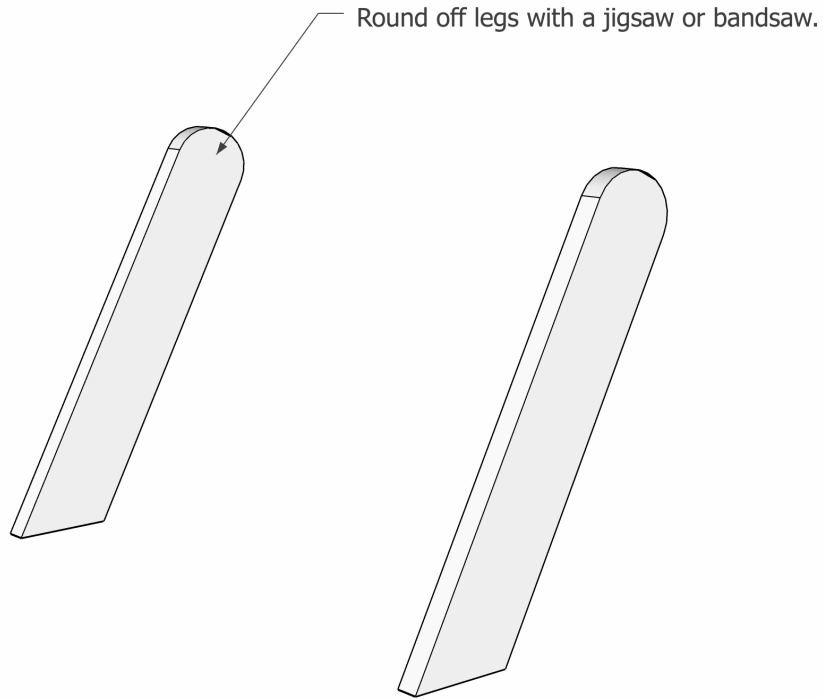
Attach The Top



Drill 1/16" pilot holes around all four edges of the top. Add a bead of wood glue to the top of the frame, then center the top onto the frame. Attach with 1 1/4" wood screws.

Step Four:

Round Off The Legs



Use a small cup to mark the tops of the legs where they will be rounded off. Using a jigsaw or a bandsaw, round off the tops of the legs to allow them to turn into position and fold up when the game is not in use.

Step Five:

Attach The Legs



Use a 3/4" piece of wood as a block at the front edge of the game board frame. Place the leg against that block to set the location for the legs. Drill a 3/8" hole through each leg and through the side of the game board frame. Attach the legs with 2 1/2" carriage bolts and locking nuts, tightening them enough to hold the legs in position, but still allow for them to be folded back down into place when not in use.

Step Six:

Mark and Cut The Angle On The Legs



Stack two pieces of wood and place them next to the legs with the game board in upright position. Mark with a pencil the angle of the legs so that they will sit flush on the ground. Cut the ends of the legs with a jigsaw.

Step Seven:

Attach The Astro Turf



Cut the astro turf to size using a sharp razor knife. Apply a generous coat of contact cement onto the top of the game board with a paint brush. Align the grass over the game board and begin stapling it to the top starting at one edge and working your way down, smoothing out the grass as you go.

Step Eight:

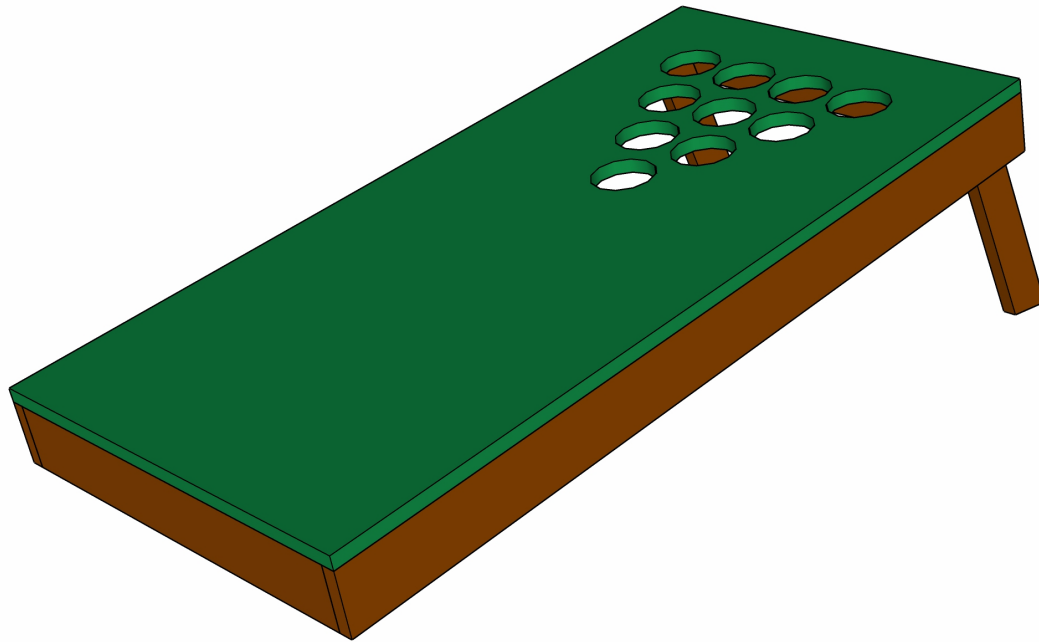
Cut The Holes In The Astro Turf



Once the astro turf is attached, flip the game board over and cut out the holes with a sharp razor knife.

Fill the holes with plastic cups and the game is ready to play.

OPTIONAL: to make this game more portable, astro turf platforms can also be made so that it can be played on different surfaces. To do this, cut a piece of 3/4" plywood approximately 12" wide and 18" long. Cut astro turf to fit and attach in the same manner as on the game boards.



HOW TO PLAY: Set the boards 24' apart. Set up teams of two with one player from each team on each board (similar to cornhole). Scoring can be done by either using standard beer pong rules, or (a more family friendly version) using golf scoring. Use desired wedge clubs to play.

GOLF RULES: To use golf scoring, the game is Par 4, match play with best ball scoring for each hole. The top row is Par (4 strokes). Second row is Birdie (3 strokes). Third row is Eagle (2 strokes). Single cup is Hole In One. A missed shot is a Bogey (5 strokes).

Each player will be given four attempts on each hole. The best ball of the four attempts will be their score for that hole. Their teammate will also have four attempts. The teammate with the lowest score on that hole will be the marked score. Play 18 holes. The team with the lowest score at the end of the round is the winner.